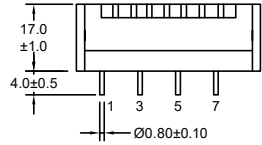


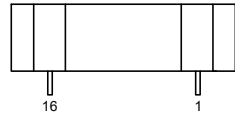
P/N: FAUI300517



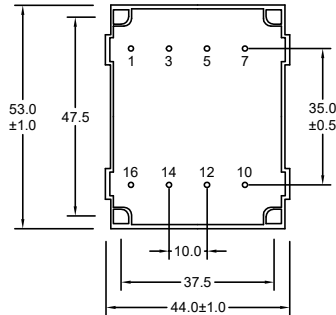
Outline Dimensions (Unit:mm)



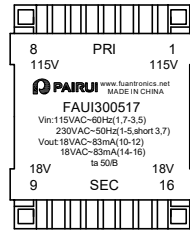
Side View



Front View



Bottom View

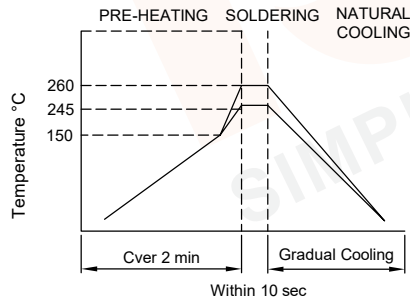


Top View

Note:

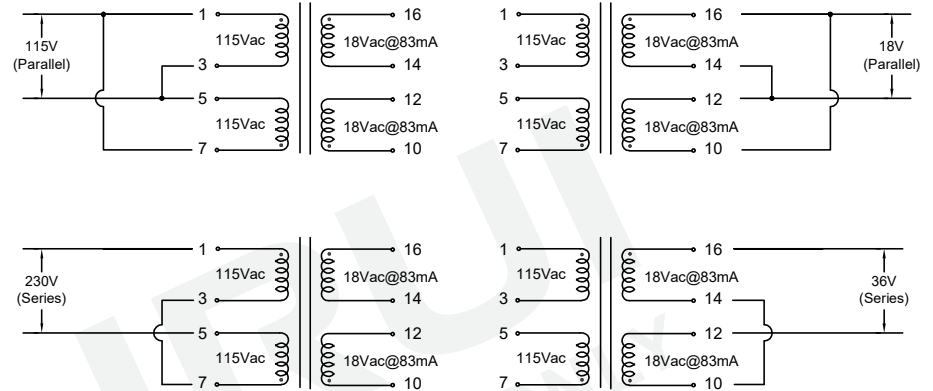
- 1. Remove Pins 2,4,6,8,9,11,13,15.

Wave Soldering



- Note:
- 1. Never Contact the ceramic with the iron tip;
 - 2. 1.0mm tip diameter(max).

Electronical Schematic



Electrical Characteristics

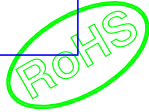
- Input 115Vac 60Hz to (1,7-3,5) or 230Vac 50Hz to (1-5,short 3,7) :
- Excitation current(Ix):25mA Max.
- Output: Vo(10-12)=29.5Vac Typ(No-load).
- Vo(14-16)=29.5Vac Typ(No-load).
- VL(10-12)=18.0Vac±5%(@83mA).
- VL(14-16)=18.0Vac±5%(@83mA).
- Hi-Pot: Pri-Sec:4000VAC/5mA/60Second.

General Properties

- Operating Temperature:-40°C to +50°C.
- Storage Temperature:-25°C to +85°C.
- Insulation Class: B.
- Weight: 0.115kg.

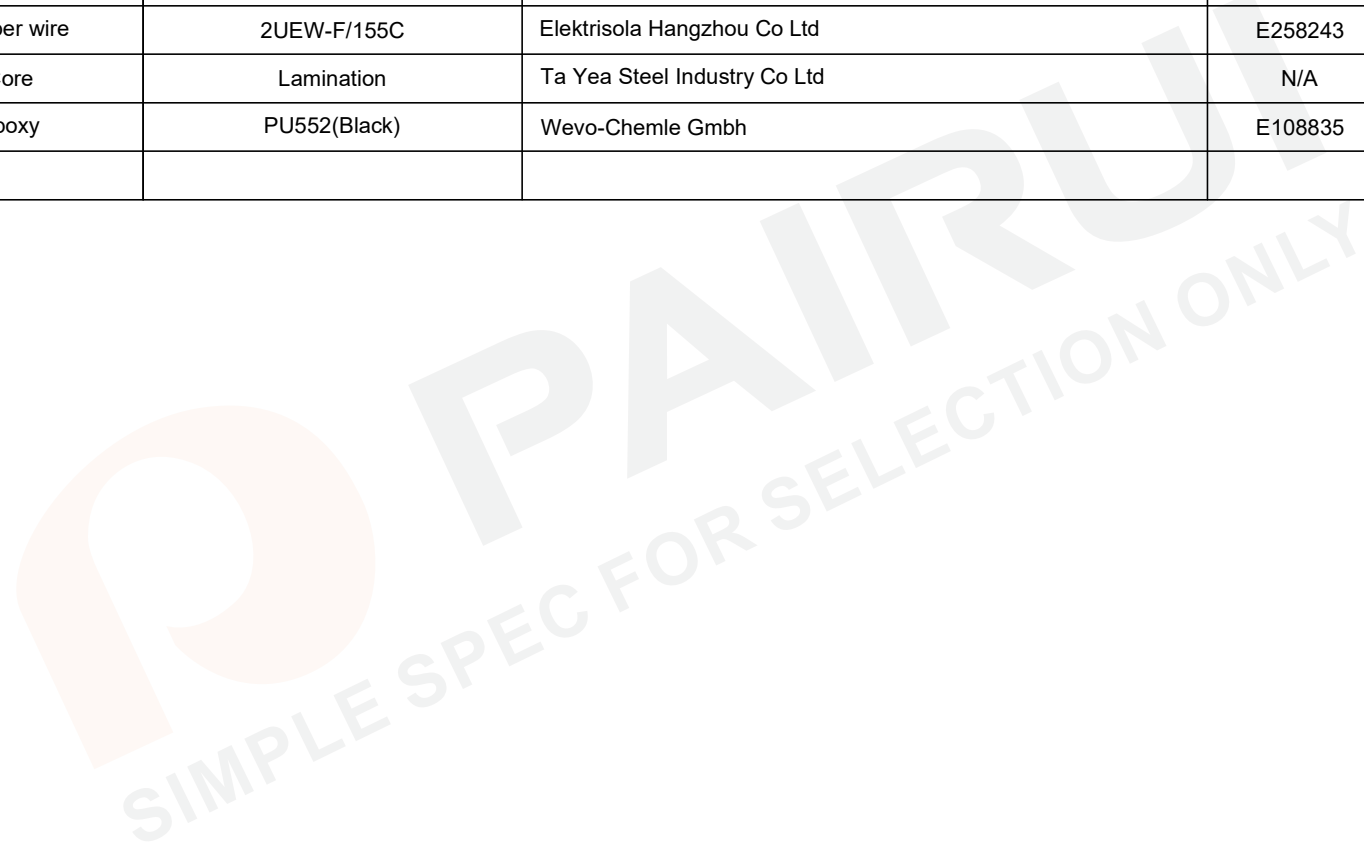
REV	DESCRIPTION	APPD	DATE	Tianchang Fuan Electronic Co Ltd www.fuantronics.net TEL: +86-550-7814888 FAX: +86-550-7831133	 Tolerances unless otherwise specified: (.X)±0.50 (XX)±0.25 Unit of measurement: mm	Make: Qiumei.Liu Checked: Beson. zhan Approved: Anson. zhan	DRAWING TITLE 3.0W Encapsulated Transformer For UI30*5.5,2*115VAC Input 50/60HZ Material Number: A223005XS460	Customer Name: Document/Rev: Specification Sheet: 1 of 2 Date of Recognition: Jan./02/2020
-----	-------------	------	------	---	--	---	---	---

P/N: FAUI300517



List of UL Certificate:

No.	Part Name	Mat'l Description	Supplier	UL Number
1	Bobbin	UI30*5.5/PBT(Black)	Chang Chun Plastics Co Ltd	E59481
2	Case	CASE-UI30*5.5/PBT(Black)	Zhejiang Juner New Materials Co Ltd	E204321
3	Copper wire	2UEW-F/155C	Elektrisola Hangzhou Co Ltd	E258243
4	Core	Lamination	Ta Yea Steel Industry Co Ltd	N/A
5	Epoxy	PU552(Black)	Wevo-Chemle Gmbh	E108835
6				



				Tianchang Fuan Electronic Co Ltd www.fuantronics.net TEL: +86-550-7814888 FAX: +86-550-7831133	Tolerances unless otherwise specified: (.X)±0.50 (XX)±0.25 Unit of measurement: mm	Make: Qiumei.Liu	DRAWING TITLE 3.0W Encapsulated Transformer For UI30*5.5,2*115VAC Input 50/60Hz	Customer Name:
						Checked: Beson. zhan		Document/Rev:
REV	DESCRIPTION	APPD	DATE			Approved: Anson. zhan	Material Number: A223005XS460	Specification Sheet: 2 of 2
							Date of Recognition: Jan./02/2020	